

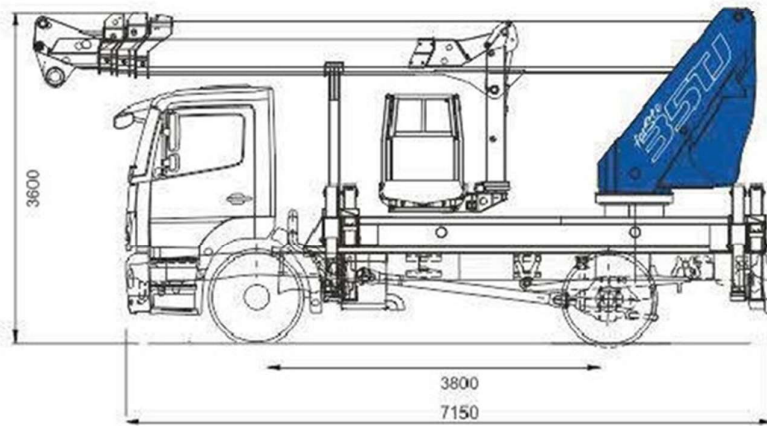
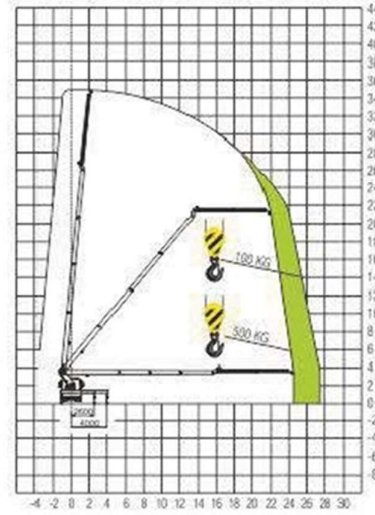
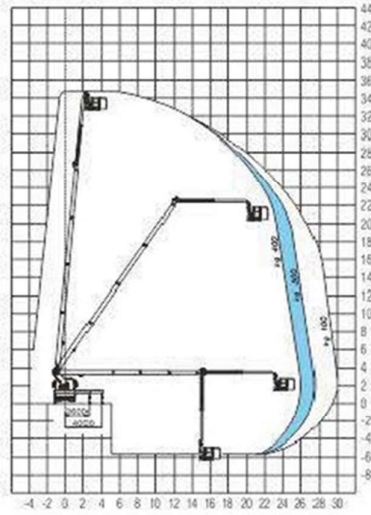
35,00 m

33,00 m

30,00 m

230x330x90x110

400 kg



18_{TON.}

forSte
35TJ



500 kg

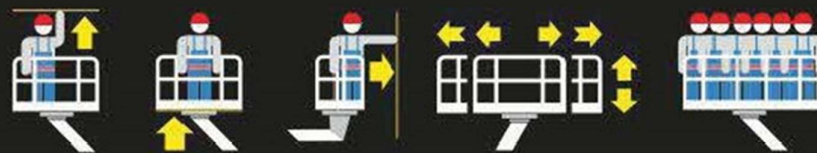
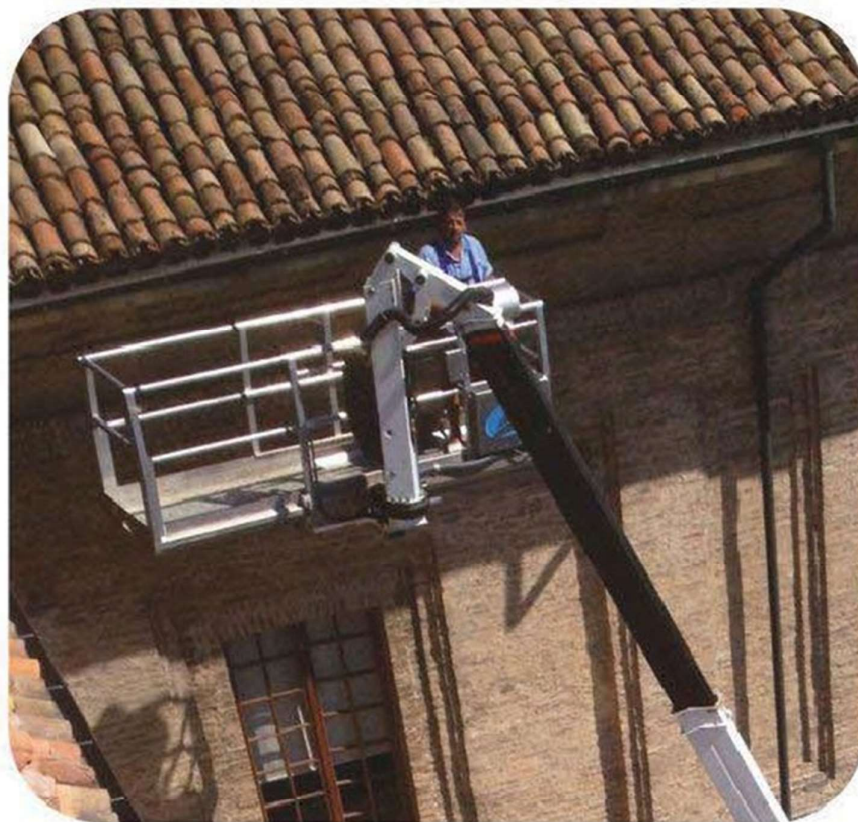
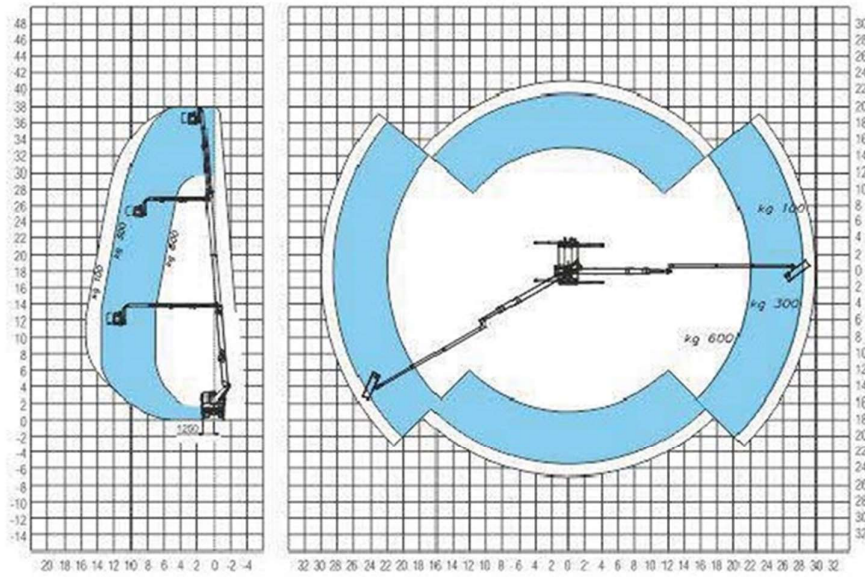
700°

aluminium

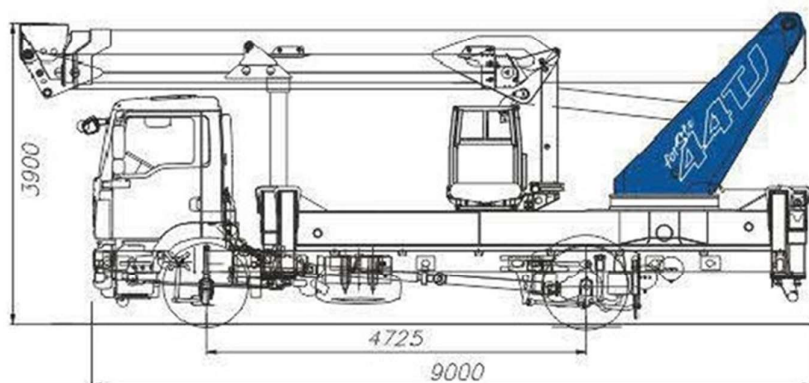
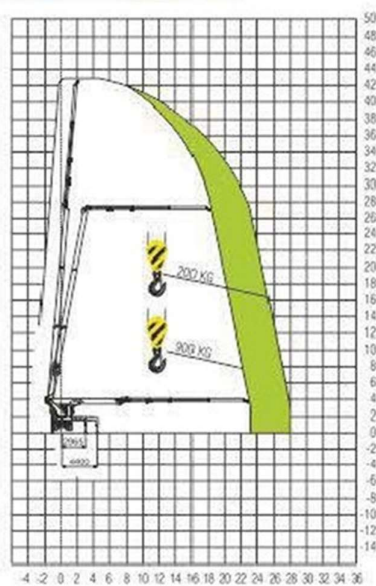
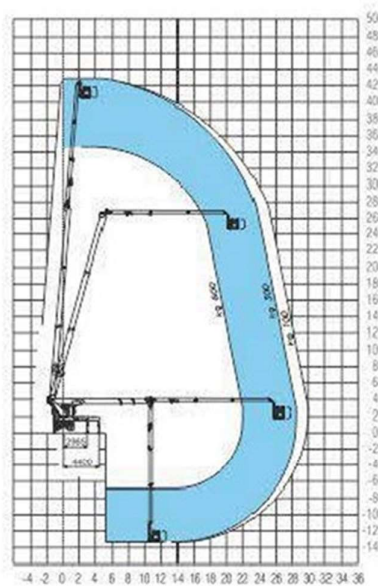
360°

electro

HE+HE



44,00 m | 42,00 m | 30,00 m | 230x360x90x110 | 600 kg



18 TON.

for Ste
44TJ



900 kg

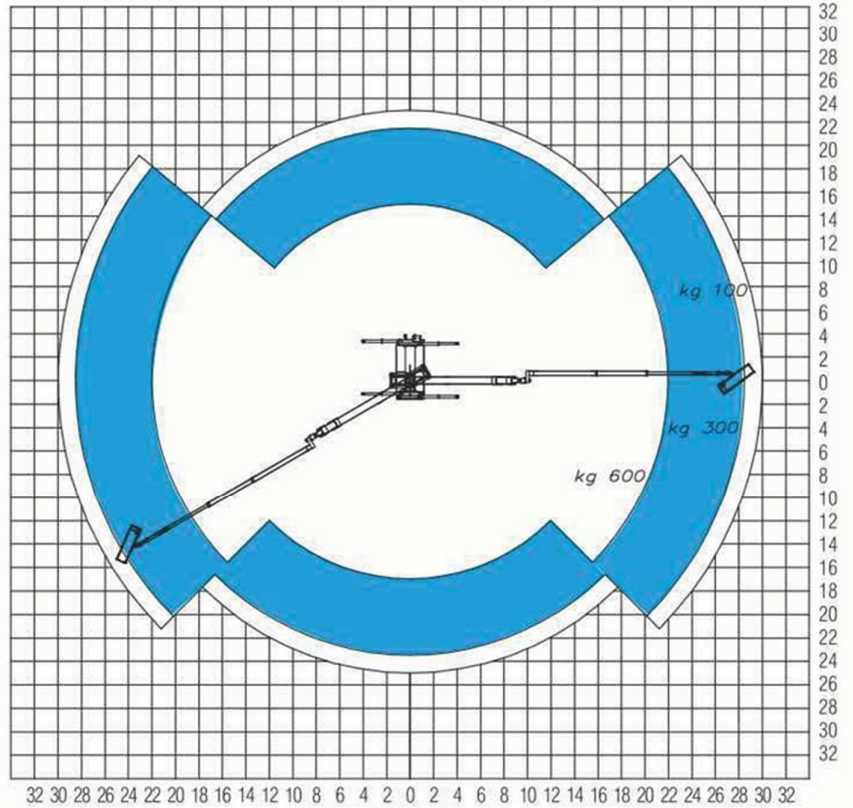
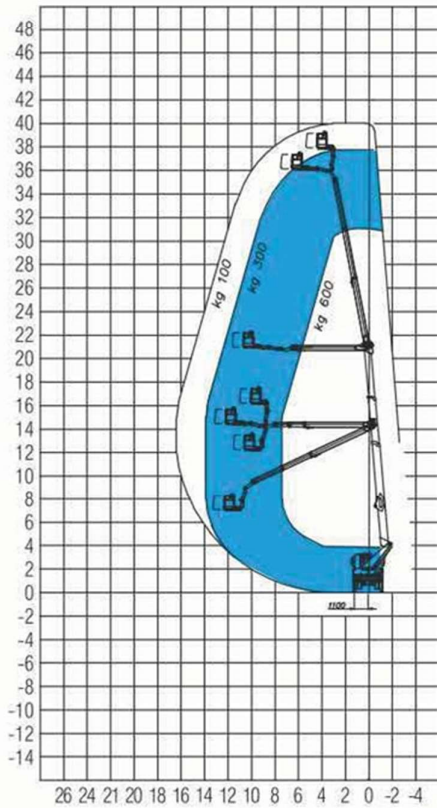
700°

aluminium

360°

electro

HE+HE



18 TON

for Ste **47TJJ**



47,00 m



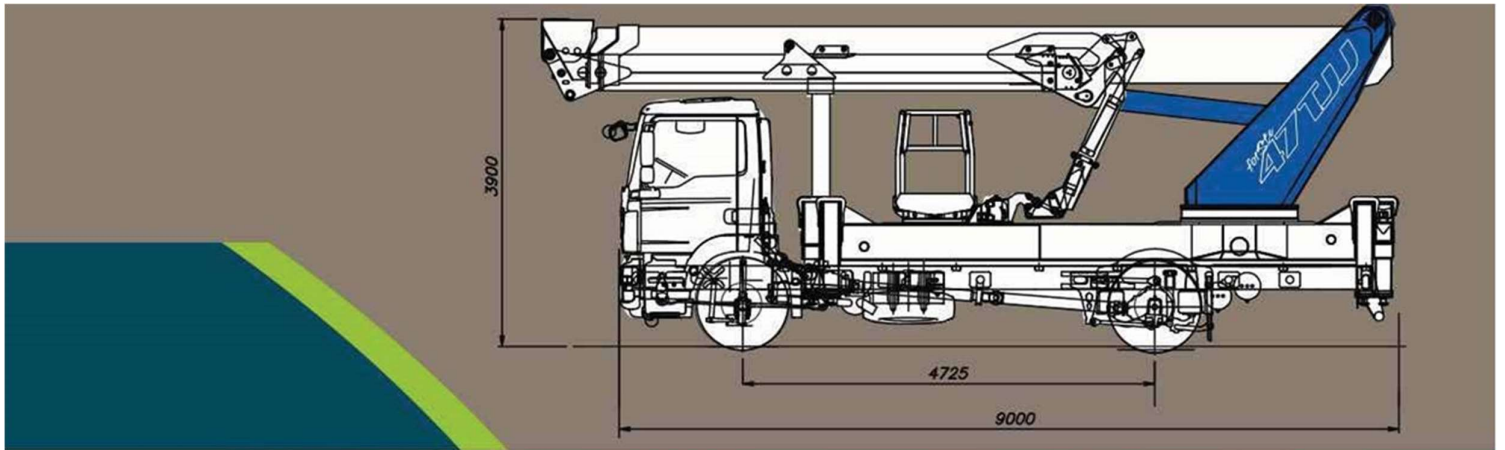
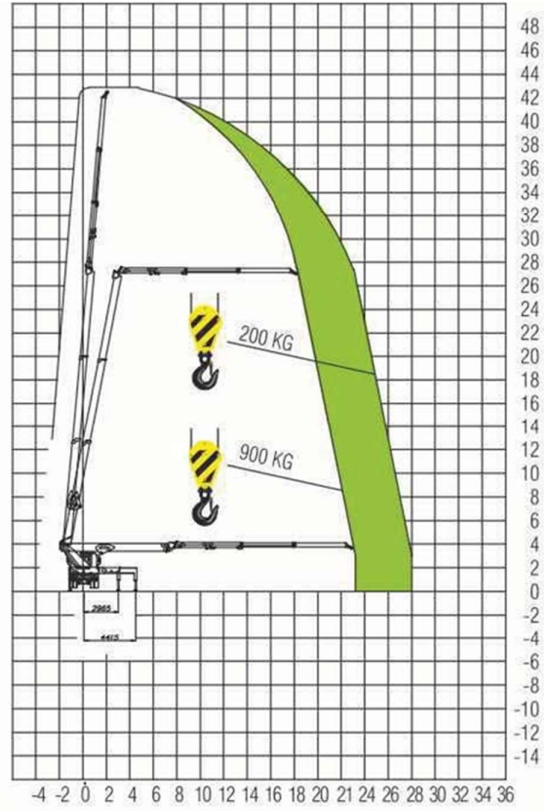
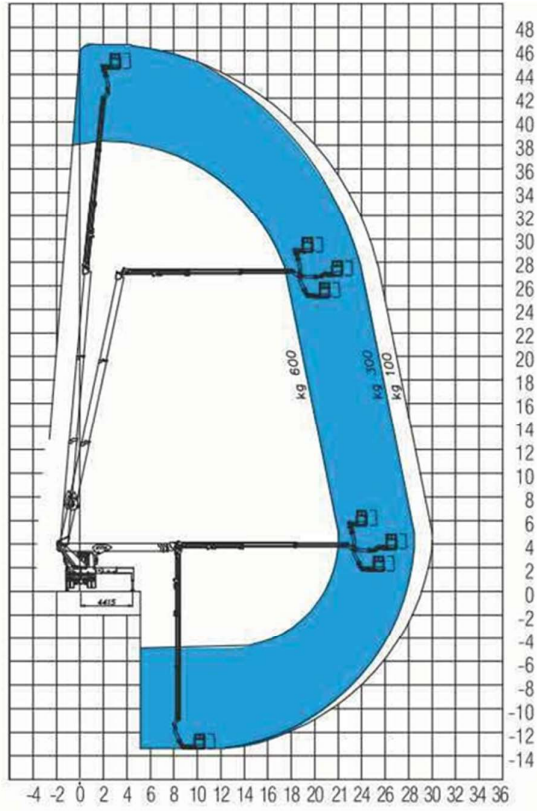
45,00 m

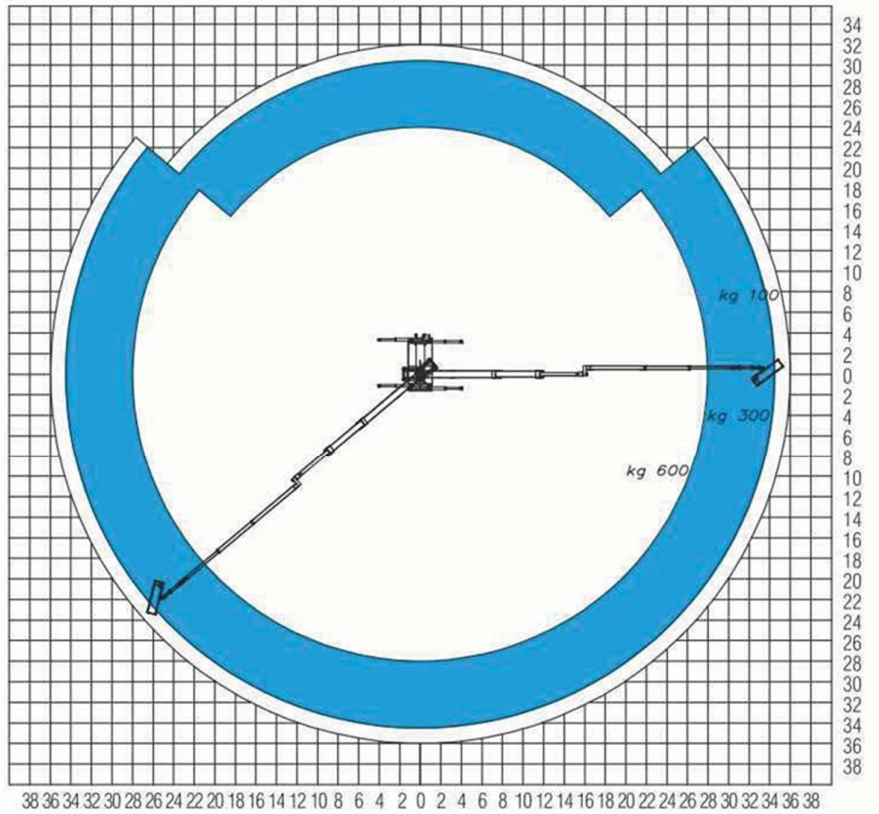
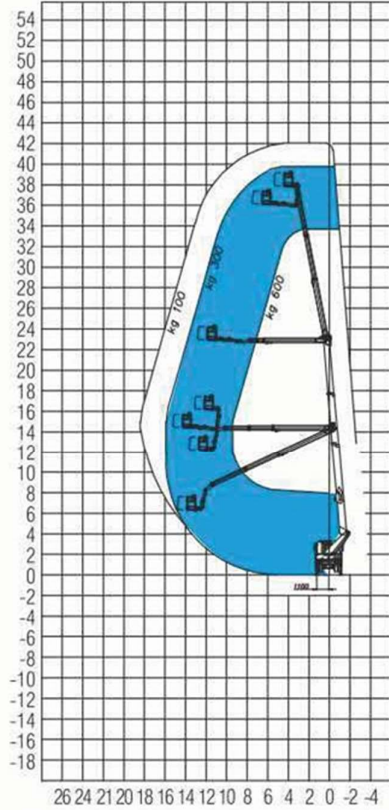


30,00 m



600 kg





26_{TON}

for Ste
47TJJ

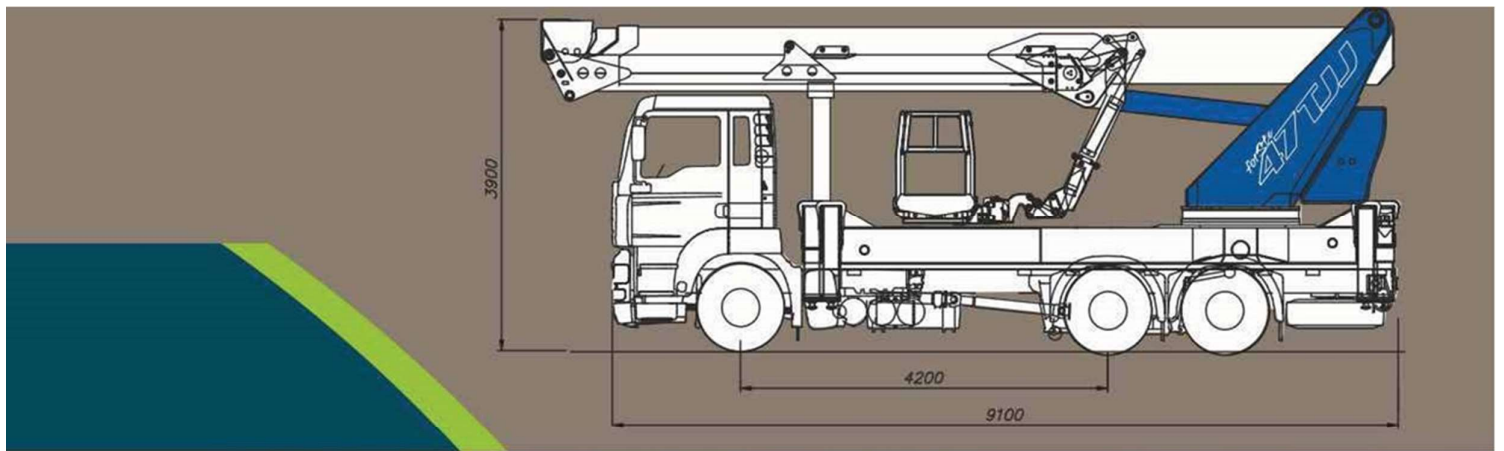
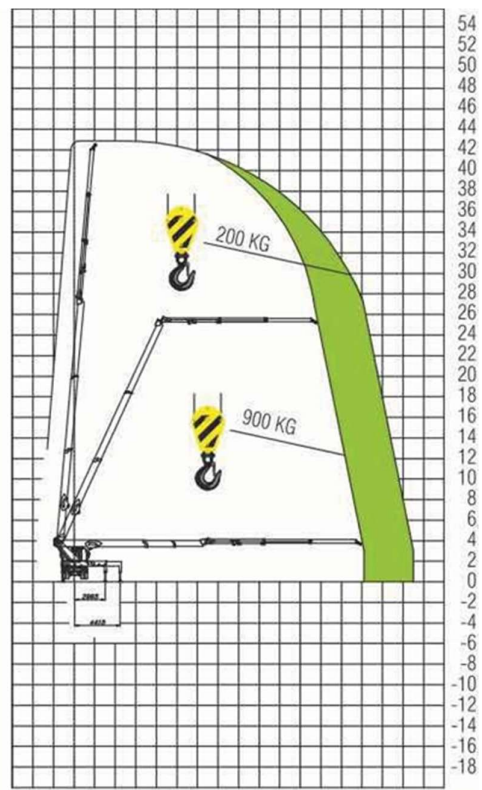
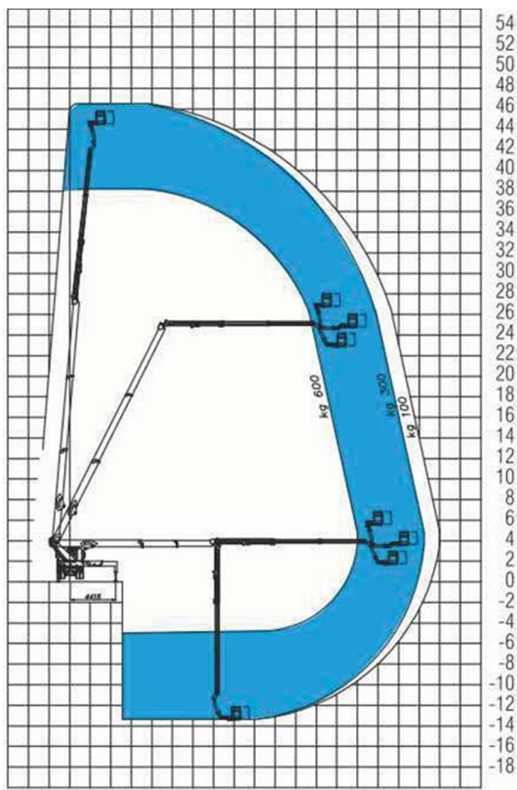


47,00 m

45,00 m

36,00 m

600 kg



230x360x90x110

900 kg

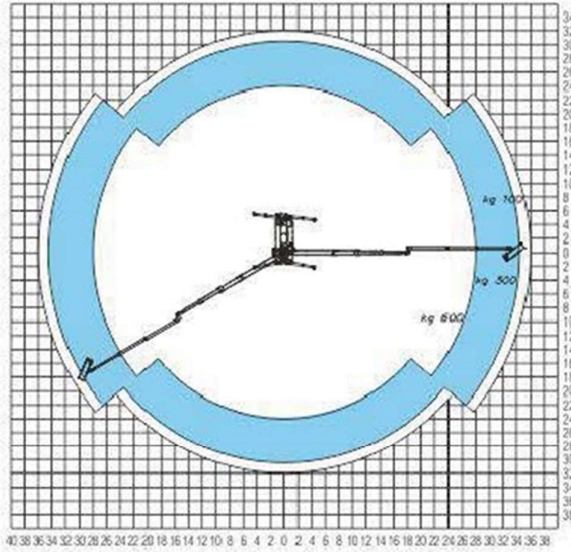
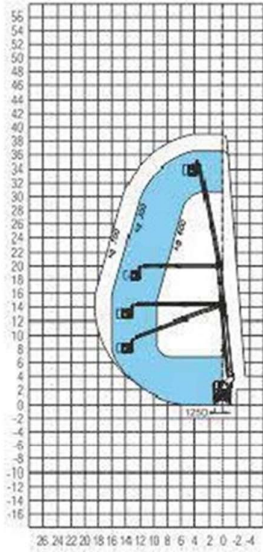
700°

aluminium

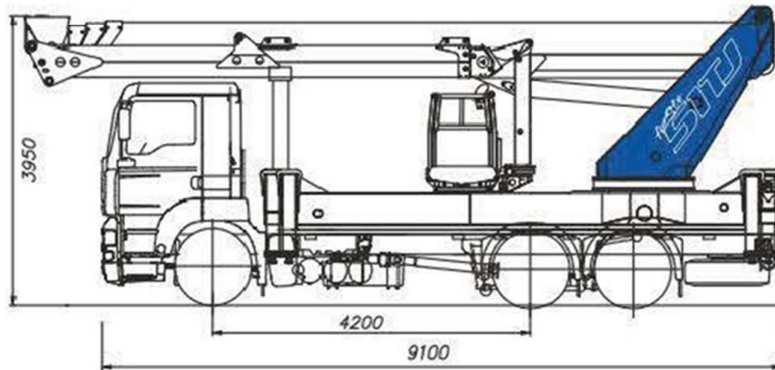
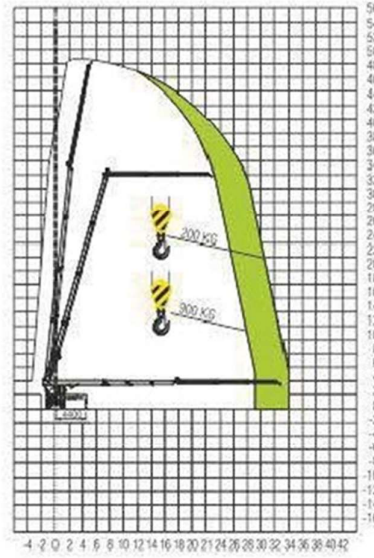
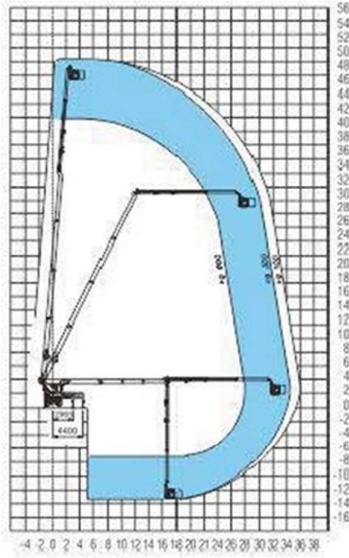
360°

electro

HE+HE



51,00 m	49,00 m	36,00 m	230x360x90x110	600 kg



26_{TON.}

for Site
SITW



900 kg

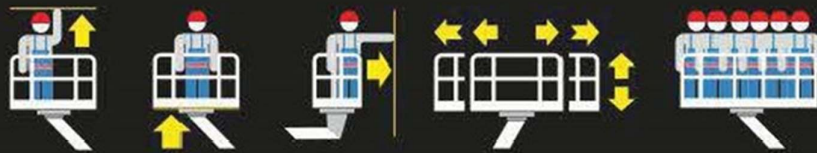
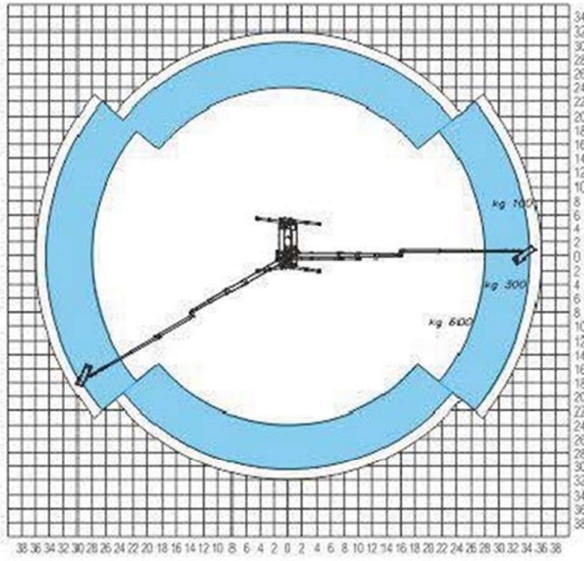
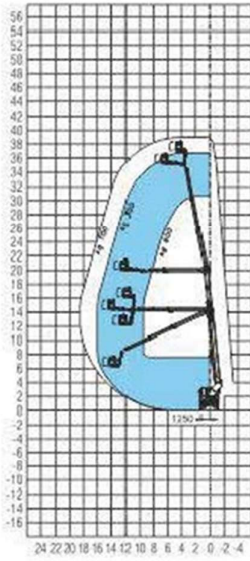
700°

aluminium

360°

electro

HE+HE



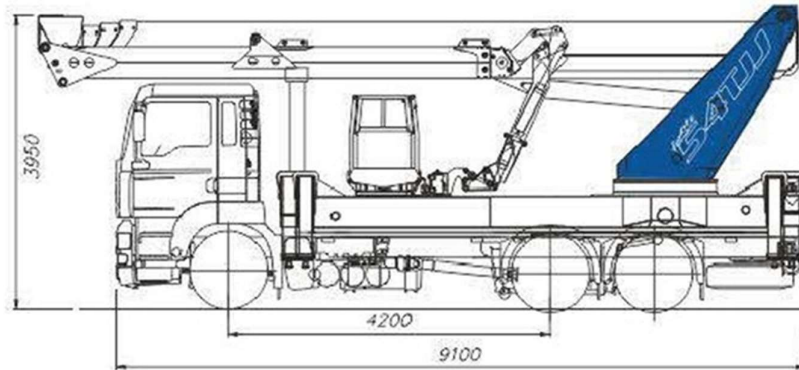
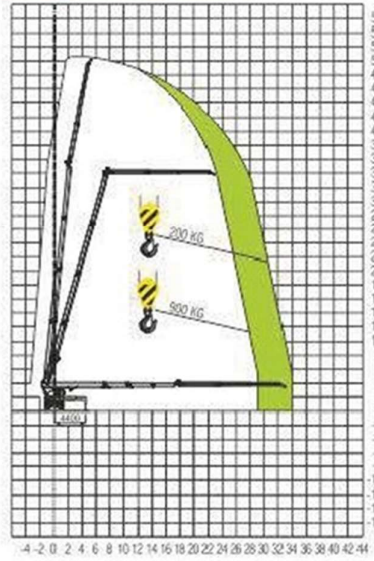
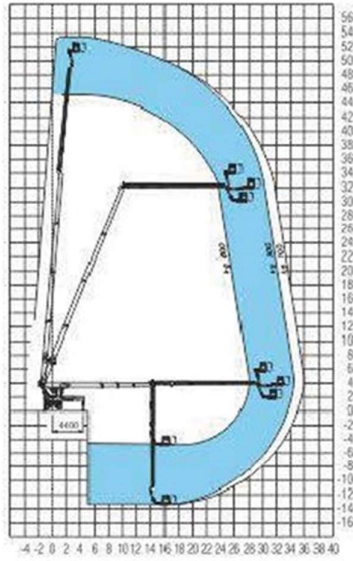
54,00 m

52,00 m

36,00 m

230x360x90x110

600 kg



26_{TON.}

for Ste
54TJJ



900 kg

700°

aluminium

360°

electro

HE+HE

forSte
54TJJ



SGCAGE

forSte 32 TON 54TJJ



54,00 m



52,00 m



40,00 m



2,3/3,6x0,9x1,1 m



600 kg



900 kg



700°



aluminium



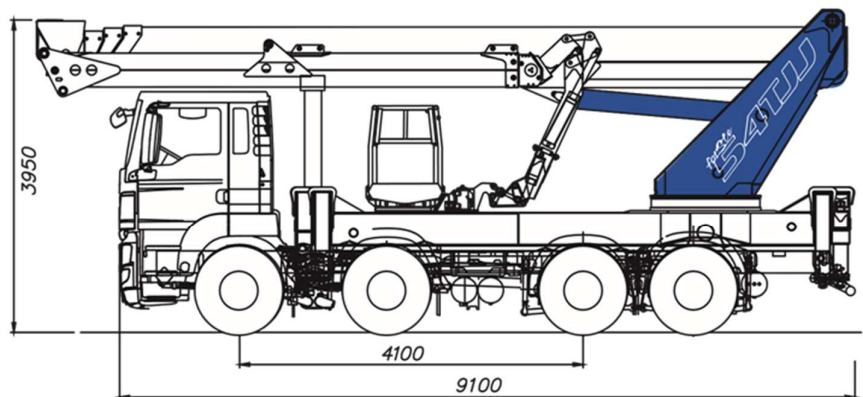
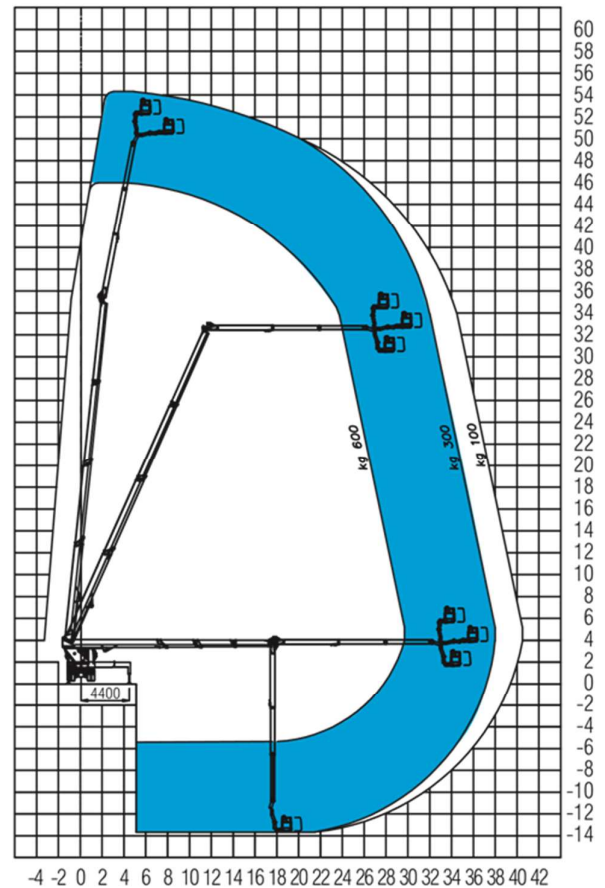
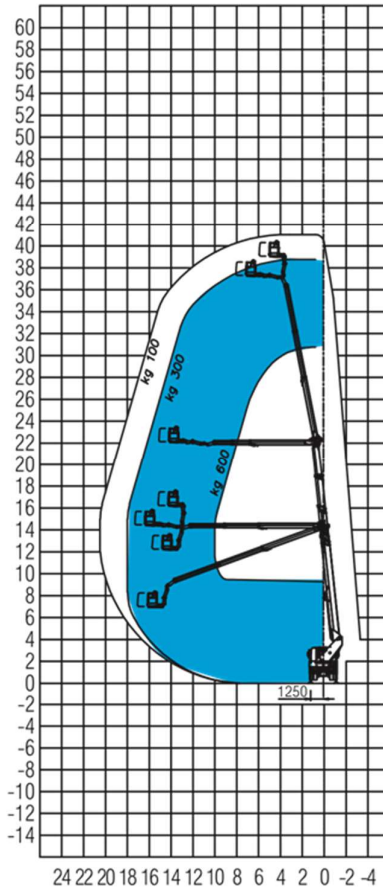
360°

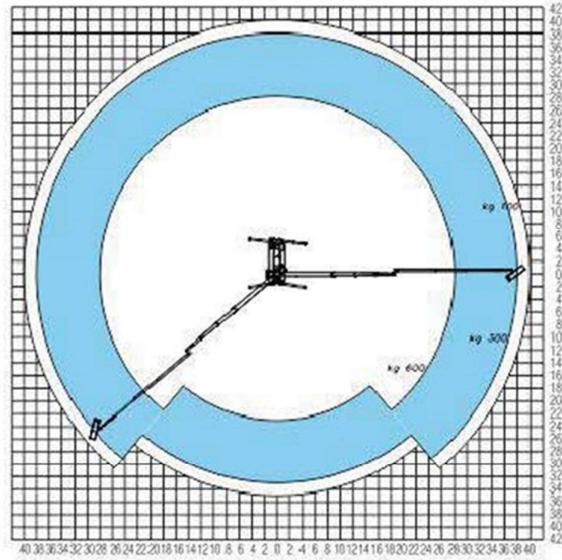
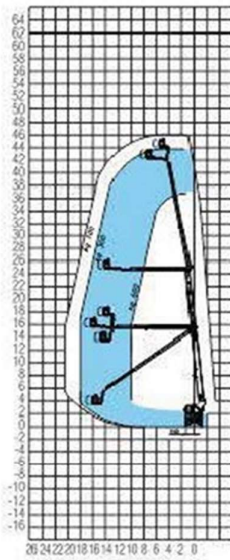


electro



HE + HE





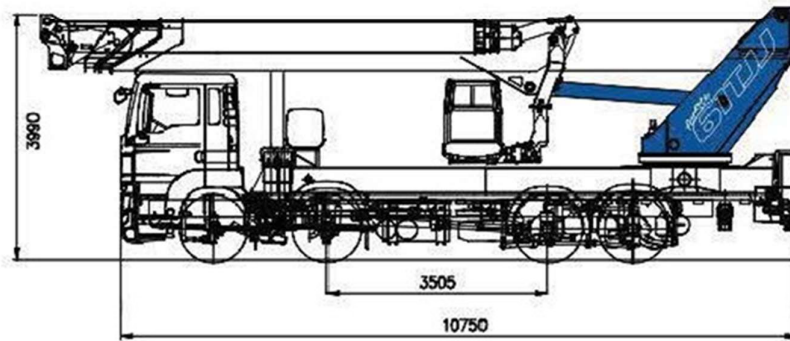
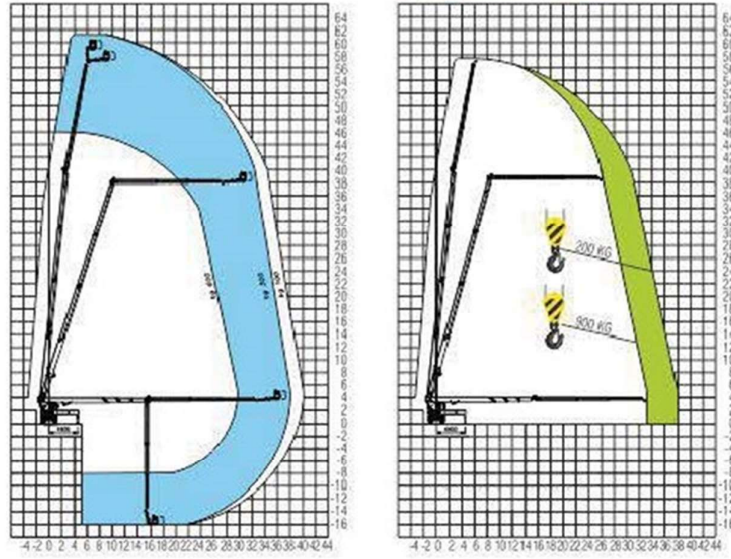
61,00 m

59,00 m

40,00 m

230x360x90x110

600 kg



32 TON.

for Ste
61TJJ



900 kg

700°

aluminium

360°

electro

HE+HE