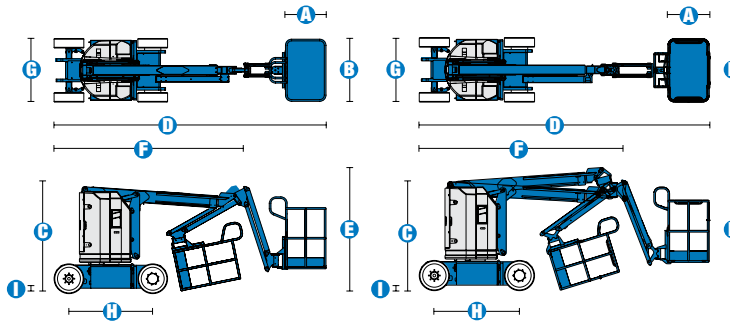


Specifications



MODELS	Z™-30/20N		Z™-30/20N RJ	
MEASUREMENTS	Metric	US	Metric	US
Working height max	11 m	36 ft	10.6 m	34 ft 10 in
Platform height max	9.1 m	30 ft	8.8 m	28 ft 10 in
Horizontal reach max	6.4 m	21 ft	6.3 m	20 ft 8 in
Up and over clearance max	3.8 m	12 ft 6 in	3.8 m	12 ft 6 in
A Platform length	76 cm	30 in	76 cm	30 in
B Platform width	1.17 m	46 in	1.17 m	46 in
C Height - stowed	2 m	6 ft 7 in	2 m	6 ft 7 in
D Length - stowed	5.1 m	16 ft 9 in	5.3 m	17 ft 5 in
E Storage height	2.08 m	6 ft 10 in	2.24 m	7 ft 4 in
F Storage length	3.5 m	11 ft 6 in	3.76 m	12 ft
G Width	1.2 m	3 ft 11 in	1.2 m	3 ft 11 in
H Wheelbase	1.57 m	5 ft 2 in	1.57 m	5 ft 2 in
I Ground clearance	9 cm	3.5 in	9 cm	3.5 in

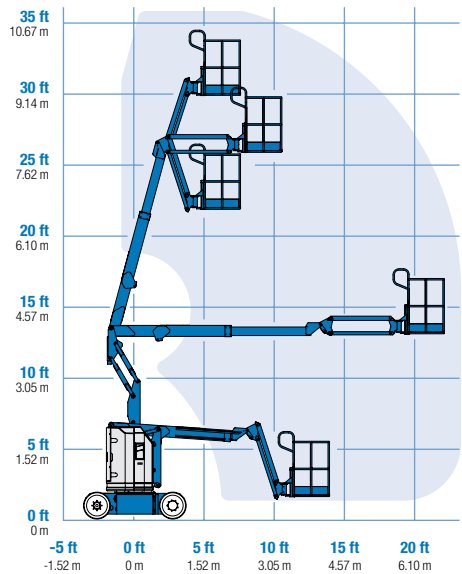
PRODUCTIVITY				
Lift capacity	227 kg	500 lbs	227 kg	500 lbs
Platform rotation	180°		180°	
Vertical jib rotation	144°		144°	
Horizontal jib rotation	—		200°	
Turntable rotation	359°		359°	
Turntable tailswing	zero		zero	
Drive speed - stowed	0-5.3 km/h	0-3.3 mph	0-5.3 km/h	0-3.3 mph
Drive speed - raised*	0-1 km/h	0-0.6 mph	0-1 km/h	0-0.6 mph
Gradeability	35%		35%	
Turning radius - inside	1.65 m	5 ft 5 in	1.65 m	5 ft 5 in
Turning radius - outside	3 m	9 ft 10 in	3 m	9 ft 10 in
Controls	proportional		proportional	
Tyres - solid non-marking	56x18x45 cm	22x7x18 in	56x18x45 cm	22x7x18 in

POWER				
Power source	48 V DC (Eight 6 V batteries 350 Ah capacity)		48 V DC (Eight 6 V batteries 350 Ah capacity)	
Auxiliary power unit	standard (electric)		standard (electric)	
Hydraulic tank capacity	15 L	4 gal	15 L	4 gal

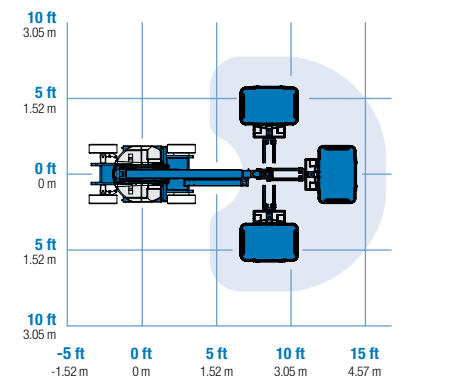
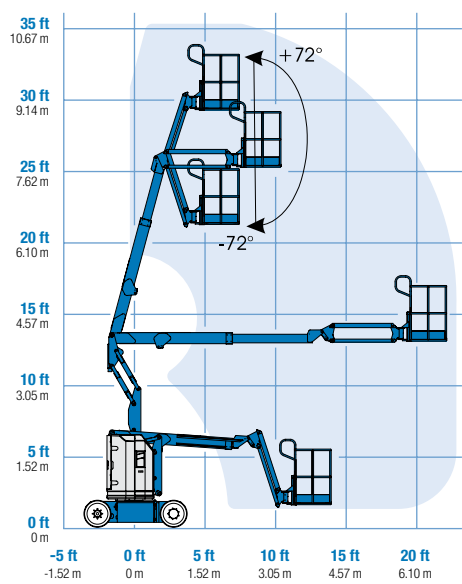
WEIGHT				
	6,577 kg	14,500 lbs	6,622 kg	14,600 lbs

STANDARDS COMPLIANCE	
	ANSI/SIA A92.5 CSA CAN3-B354.4-M82 CE compliance option AS 1418.10

RANGE OF MOTION Z™-30/20N



RANGE OF MOTION Z™-30/20N RJ



*In lift mode (platform raised), the machine is designed to operate on firm, level surfaces only.

Features

EASILY CONFIGURED TO MEET YOUR NEEDS

PLATFORM OPTIONS

- Steel 1.22 m (4 ft) (standard)

JIB OPTIONS

- 1.22 m (4 ft) jib boom
- 1.22 m (4 ft) horizontal rotating jib boom

POWER

- 48 V DC power source

DRIVE

- 2WD

TYRE

- Solid rubber non-marking

STANDARD FEATURES

MEASUREMENTS

Z™-30N

- 11 m (36 ft) working height
- 6.4 m (21 ft) horizontal reach
- 3.8 m (12 ft 6 in) up and over clearance
- Up to 227kg (500lb) lift capacity

Z™-30N RJ

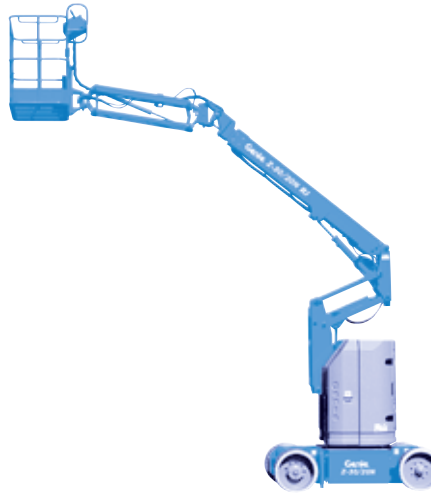
- 10.6 m (34 ft 10 in) working height
- 6.3 m (20 ft 8 in) horizontal reach
- 3.8 m (12 ft 6 in) up and over clearance
- Up to 227 kg (500 lb) lift capacity

PRODUCTIVITY

- 1.22 m (4 ft) jib boom with 144° working range
- Self-leveling platform
- Hydraulic platform rotation
- Fully proportional controls
- Drive enable
- AC power to platform
- Horn
- Hour meter
- Tilt alarm
- 355° non-continuous turntable rotation
- Zero tailswing and front arm swing
- Sep-Ex drive system
- Alarm packages

POWER

- 24 V DC deep cycle battery pack
- 24 V DC auxiliary power
- 25 Amp 48 V battery charger



OPTIONS & ACCESSORIES

PRODUCTIVITY

- Platform swing gate
- Half mesh platform inserts with swing gate
- Air line to platform
- Deluxe aircraft protection package
- Tool tray
- Fluorescent tube caddy
- Platform work lights
- Lockage platform control box covers
- Battery charge indicator (BCI)
- Low voltage interrupt with BCI

Genie Australia

591 Boundary Road, Darra, Qld 4076
PO Box 394, Richlands, Qld 4077
Tel: + 61 7 3375 1660
Toll Free In Australia: 1800 331 660
Fax: + 61 7 3375 1002

European Offices

UK

The Maltings
Wharf Road
Grantham NG31 6BH
UK
Tel: +44 (0)1476 584333
Fax: +44 (0)1476 584334

France

10, ZA de la Croix St. Mathieu
28320 Gallardon
France
Tel: +33 (0)2 37 26 09 99
Fax: +33 (0)2 37 26 09 98

Germany

Finienweg 3
28832 Achim/Bremen
Germany
Tel: +49 (0)4202 8852-0
Fax: +49 (0)4202 8852-25

Spain

Gai' a 31, Pol. Ind. Pl' a d'en Coll
08110 Montcada i Reixac
Barcelona
Spain
Tel: +34 93 572 50 90
Fax: +34 93 572 50 91

Scandinavia

Tagenevägen 72
425 37 Hisings Kärra
Sweden
Tel: +46 31 57 51 00
Fax: +46 31 57 90 20

Genie United States

18340 NE 76th Street
P.O. Box 97030
Redmond, Washington 98073-9730
USA
Tel: +1 425 881-1800
Fax: +1 425 883-3475

WEB: www.genieindustries.com

Distributed By: